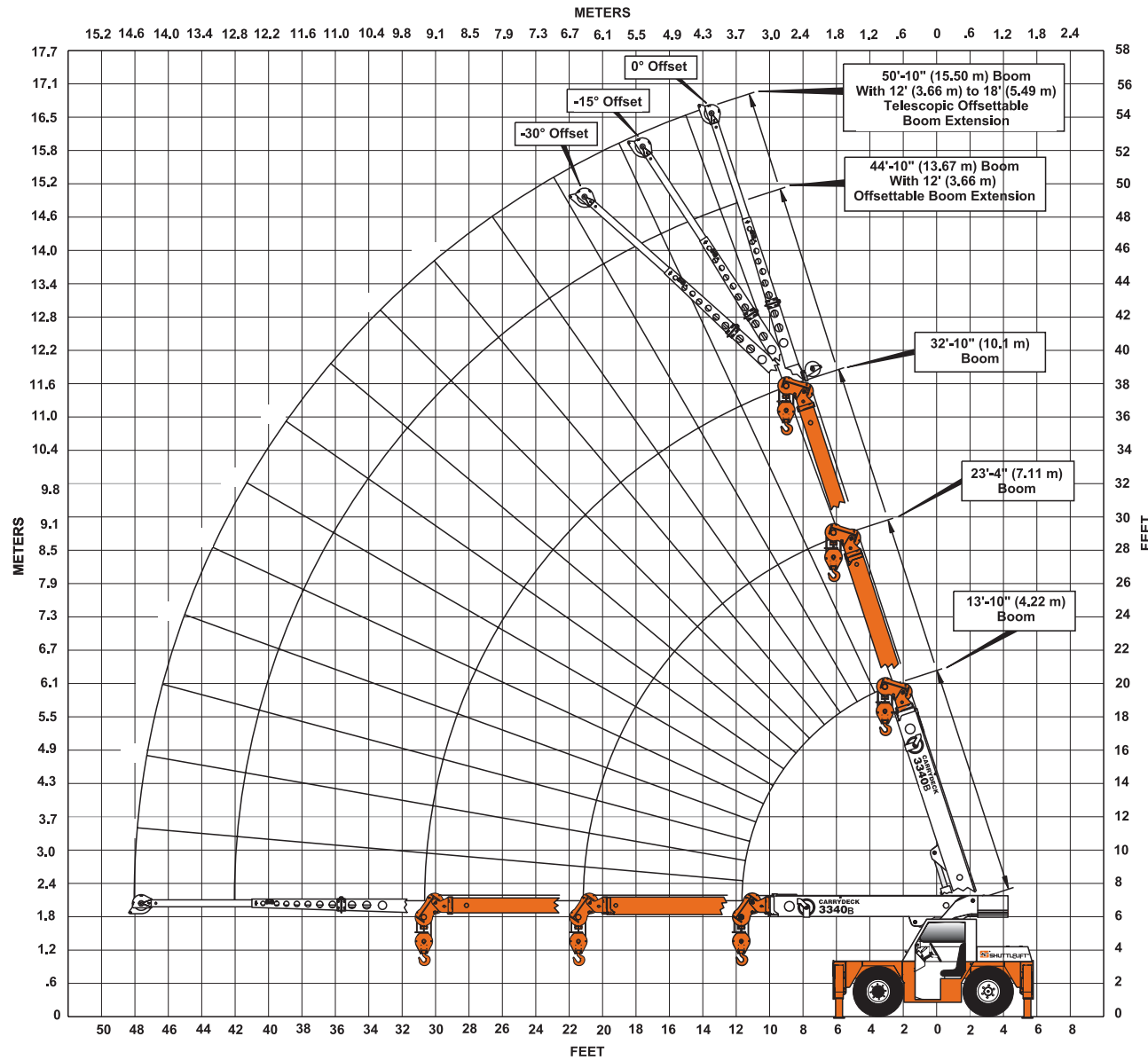


# Range Chart



3340B 3-SECTION BOOM WITH 12' (3.66 M) TO 18' (5.49 M) OFFSETTABLE BOOM EXTENSION

RATING REDUCTIONS FOR INSTALLED LOAD HANDLING DEVICES		
DEVICE	FROM MAIN BOOM	FROM BOOM EXTENSION
MAIN BLOCK	140 LB (64 kg)	N/A
HOOK & BALL	100 LB (45.4 kg)	100 (45.4 kg)
EXTENSION - STOWED	NO DEDUCTION	N/A
EXTENSION - DEPLOYED	450 LB (204 kg)	NO REDUCTION



Manitowoc Crane Group - Americas  
 Shady Grove, Pennsylvania Facility  
 Tel: [Int + 001] 717 597 8121  
 Fax: [Int + 001] 717 597 4062  
 www.manitowoccrane.com

Constant improvement and engineering progress make it necessary that we reserve the right to make specification, equipment, and price changes without notice. Illustrations shown may include optional equipment and accessories, and may not include all standard equipment.

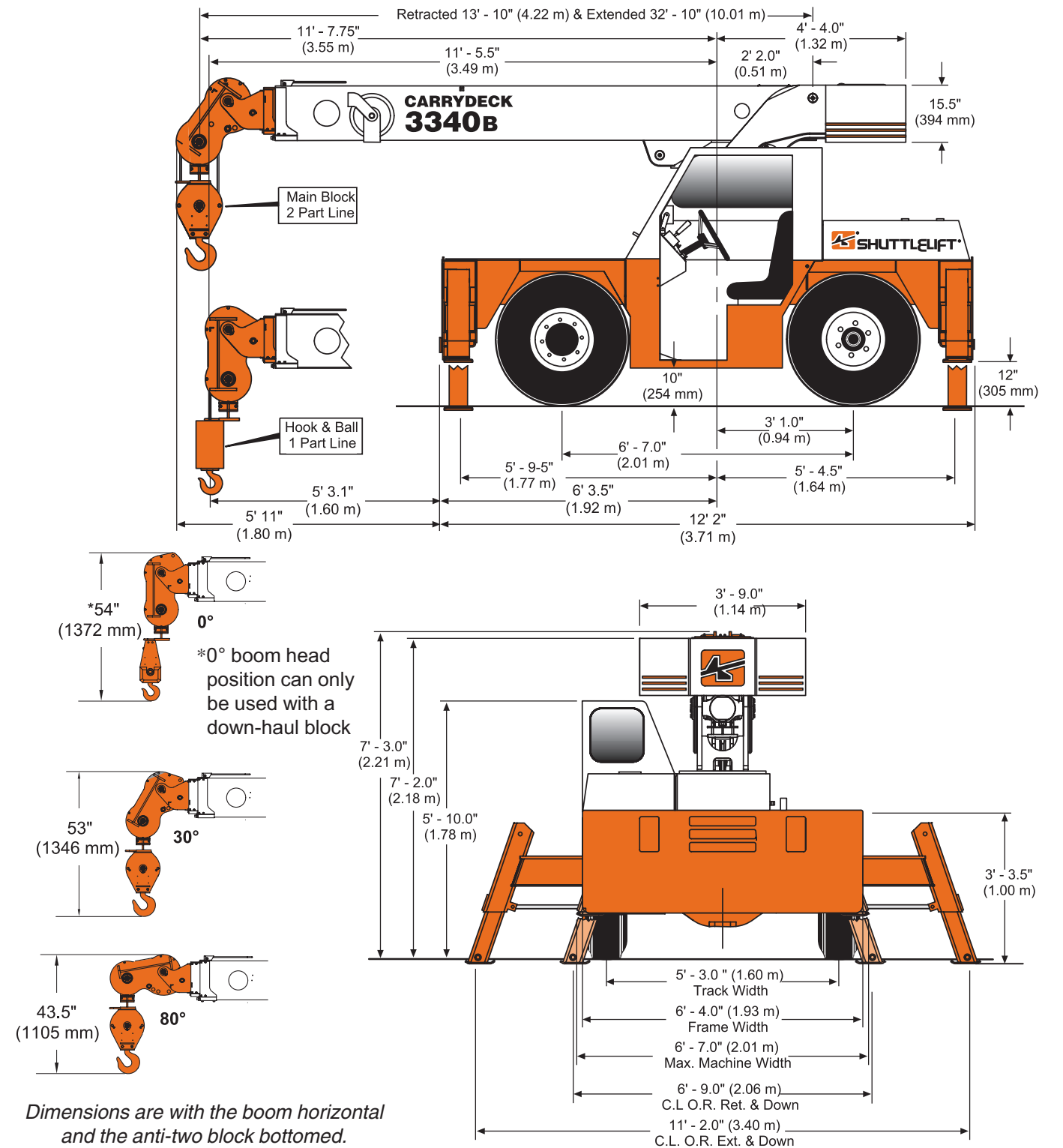


# Carrydeck® Industrial Cranes

MODEL

# 3340B

## 10.5 TON (9525 KG)



Dimensions are with the boom horizontal and the anti-two block bottomed.

# Specifications

## GENERAL INFORMATION

Boom topping angle.....72°  
 Unit weight (approximate) .... 16,600 lb (7530 kg)  
 Outrigger pad size 7.4 " x 7.8" (188 mm x 198 mm)

## SERVICE CAPACITIES

Fuel tank ..... 18.5 gal. (70 L)  
 Hydraulic tank .....23.5 gal. (89 L)  
 Cooling system ..... 15 qt. (14 .0 L)  
 Transmission/Torque Converter.....4 gal. (15.1 L)  
 Differential..... 2.1 gal. (7.95 L)  
 Axle Wheel Hubs ..... 2.1 qt. (1.99 L)

## WINCHES (HOIST)

Main winch (hoist):  
 Drum Diameter..... 10.63" (270 mm)  
 Wire rope diameter..... 9/16" (14.0 mm) EEIPS  
 Wire rope length..... 120 ft. ( 30.5 m)  
 Line speed (calculated).. 100 fpm (36.6 m/min)  
 Line pull, bare drum ..... 14,000 lb (6350 kg)

Electric recessed winch (optional):

Drum ..... 2.5" x 9" (64 mm x 229 mm)  
 Wire rope diameter..... 1/4" (6 mm)  
 Wire rope length..... 100 ft. (30.5 m)  
 Line speed..... 9 fpm (2.7 m/min)  
 @ 6,000 lb (2722 kg)  
 15 fpm (4.6 m/min) @ no load

## STANDARD EQUIPMENT

- 3340B – 3-section full proportional boom, 13" 10 " to 32' 10" (4.22 m to 10.01 m)
- 2-wheel/4-wheel/crab steering
- 2-wheel drive
- 41.5 ft2 (3.86 m2) carrydeck
- All load carrying cylinders include load holding check valves
- All steel cab structure less glass (top safety glass standard)
- Lights – head, tail, rear, work, stop and turn signals
- Outriggers – two-stage hydraulic telescoping box – front and rear
- 4-speed power shift
- Power steering – hydraulic, load sense
- 10.00 x 15 tires
- Anti-two block cutout for telescope, boom and hoist
- Pivoting boom head (0°, +30°, +80°, -15°, -30°)
- Boom angle indicator
- 9/16" (14 mm) Extra, Extra Improved Plow Steel (EEIPS) wire rope, 120' (36.6 m) long
- Cummins 4B3.3L diesel engine
- Backup alarm
- Nonskid deck surface
- Pilot-operated controls
- Quick reeving drop block
- Built-in tool box
- Fire extinguisher

## OPTIONAL EQUIPMENT

- Enclosed cab with windshield wiper and sliding right window
- Adjustable operator cushion seat with seat belt
- Independent outrigger controls
- GM 3.0L gas/LP fuel injected w/ engine shutdown feature
- CE compliance (see note)

## ACCESSORIES AND ATTACHMENTS

- Cold start kit (ether injector and second battery)
- Flashing strobe light
- Rear hitch
- Front hitch
- 12' (3.66 m) offsettable boom extension
- 12' - 18' (3.66 m - 5.49 m) telescopic offsettable boom extension
- Heater and defroster (hot water)
- Spare wheel and tire
- Engine shutdown gauges (diesel)
- Downhaul ball
- Load Moment Indicator (LMI) system
- Rated Capacity Limiter (RCL)
- Electric recessed auxiliary winch
- Lift and tie down lugs
- High rail attachment
- Dual rearview mirrors
- Head and tail light grilles
- Foam filled tires
- Non-marking tires
- Air conditioned cab
- Catalytic converter for diesel engine
- Spark arrestor for dual fuel engine
- Engine block heater

## HYDRAULIC SYSTEM

Main pump ..... Variable displacement piston pump with fixed displacement gear pump  
 Maximum flow ..... 28.5 gpm (107.9 Lpm) @ 2500 rpm  
 Swing speed.....continuous at 2.05 rpm

## ENGINE

Optional (Dual Fuel - Gasoline/LPG):  
 Make and model .....GM 3.0L EFI  
 Horsepower.....70 (52.2 kw) @2500 rpm  
 Standard (Diesel):  
 Make and model ..... Cummins 4B 3.3L  
 Horsepower..... 85 (63.4 kw) @ 2600 rpm

## TRANSMISSION

Type..... 4-speed powershift  
 Parking brake/secondary brakeSAHR caliper disc

## AXLES

Drive/steer front:  
 Type ..... planetary  
 Service brakes .....integrated wet disc  
 Rear:  
 Type .....steer only

## ELECTRICAL

Starting System ..... 12 VDC  
 Battery (1) .....820 CCA @ 0° F (-18° C)  
 Alternator ..... 63 amp

## DECK CARRYING CAPACITIES

Deck only ..... 14,000 lb (6350 kg)  
 Combined boom and deck load..... 12,000 lb (5440 kg)

## TRAVEL SPEEDS

1st gear ..... 4.4 mph (7.1 km/h)  
 2nd gear ..... 7.6 mph (12.2 km/h)  
 3rd gear ..... 14 mph (22.5 km/h)  
 4th gear ..... 22 mph (35.4 km/h)

## TRACTIVE EFFORT

Unit equipped with 10:00 x 15 tires, diesel engine and no load on the unit.  
 1st gear ..... 13,000 lb (5902 kg)  
 2nd gear ..... 7,900 lb (3587 kg)  
 3rd gear ..... 4,400 lb (1998 kg)  
 4th gear ..... 2,425 lb (1100 kg)

## TIRES

Size ..... 10.00 x 15, 14 ply rating  
 Type..... pneumatic

## TURNING SPECIFICATIONS

Turning radius: to centerline of outside tires  
 2-wheel steer ..... 15' (4.57 m)  
 4-wheel steer .....9' 4.75" (2.86 m)

## HYDRAULIC CYLINDERS

	CYCLE TIME	
	800 rpm	2500 rpm
Hoist Cylinder (full stroke):		
Up	17.0 sec.	12.0 sec.
Down	14.0 sec.	15.0 sec.
Telescope Cylinder (full stroke):		
Out	90.0 sec.	32.0 sec.
In	83.0 sec.	41.0 sec.
Outriggers (simultaneous operation):		
Out	14.0 sec.	11.0 sec.
In	8.0 sec.	6.0 sec.
Down	21.0 sec.	15.0 sec.
Up	17.0 sec.	12.0 sec.

## MAXIMUM GRADEABILTY (Paved Surface) - Calculated

1st gear, no load..... 63%  
 1st gear, 12,000 lb (5443 kg) load ..... 29%  
**Note:** Gradeability is a measure of tractive effort only and does not represent grades on which the machine can operate.

**Note:** All specifications are stated in accordance with PCSA and ANSI B30.5 definitions, SAE standards or recommended practices, where applicable.

**Note:** CE compliance will require modifications along with derated load capacities/chart. Consult factory.

# Rated Load Capacities - 3340B

	Operating Radius	MAIN CAPACITY CHART						
		On Outriggers				On Rubber		
		Extended & Down 360° Retracted & Down Front/Rear Rating		Retracted & Down 360° Rating		Any Boom Length		
		Retracted Boom	Any Other Boom Length	Retracted Boom	Any Other Boom Length	Front Pick & Carry Rating Max Speed 2.5 mph (4.02 km/h)	360° Rating	
MAIN BOOM	4' (1.22 m)	21,000 lb (9525 kg)	15,000 lb (6804 kg)	21,000 lb (9525 kg)	15,000 lb (6804 kg)	11,500 lb (5216 kg)	11,500 lb (5216 kg)	
	5' (1.52 m)	18,000 lb (8165 kg)	14,700 lb (6668 kg)	18,000 lb (8165 kg)	14,700 lb (6668 kg)	11,500 lb (5216 kg)	9,400 lb (4264 kg)	
	6' (1.83 m)	15,700 lb (7121 kg)	14,400 lb (6531 kg)	14,400 lb (7121 kg)	14,400 lb (6531 kg)	10,000 lb (4536 kg)	7,800 lb (3538 kg)	
	8' (2.44 m)	12,200 lb (5534 kg)	12,200 lb (5534 kg)	9,400 lb (4264 kg)	9,400 lb (4264 kg)	8,100 lb (3674 kg)	5,900 lb (2676 kg)	
	10' (3.05 m)	10,200 lb (4627 kg)	10,200 lb (4627 kg)	6,700 lb (3039 kg)	6,700 lb (3039 kg)	6,100 lb (2767 kg)	4,100 lb (1860 kg)	
	12' (3.66 m)	8,400 lb (3810 kg)	8,400 lb (3810 kg)	5,000 lb (2268 kg)	5,000 lb (2268 kg)	4,600 lb (2087 kg)	3,000 lb (1361 kg)	
	14' (4.27 m)	--	7,100 lb (3221 kg)	--	3,800 lb (1724 kg)	3,600 lb (1633 kg)	2,400 lb (1089 kg)	
	16' (4.88 m)	--	6,000 lb (2722 kg)	--	3,100 lb (1406 kg)	2,900 lb (1315 kg)	2,000 lb (907 kg)	
	18' (5.49 m)	--	5,000 lb (2268 kg)	--	2,600 lb (1179 kg)	2,400 lb (1089 kg)	1,600 lb (726 kg)	
	20' (6.10 m)	--	4,300 lb (1950 kg)	--	2,100 lb (953 kg)	2,000 lb (907 kg)	1,200 lb (544 kg)	
	22' (6.71 m)	--	3,700 lb (1678 kg)	--	1,800 lb (816 kg)	1,700 lb (771 kg)	1,050 lb (476 kg)	
	24' (7.32 m)	--	3,300 lb (1497 kg)	--	1,500 lb (680 kg)	1,500 lb (680 kg)	950 lb (431 kg)	
	26' (7.92 m)	--	2,900 lb (1315 kg)	--	1,300 lb (590 kg)	1,300 lb (590 kg)	800 lb (363 kg)	
	28' (8.53 m)	--	2,600 lb (1179 kg)	--	1,150 lb (522 kg)	1,150 lb (522 kg)	700 lb (318 kg)	
	31' (9.45 m)	--	2,300 lb (1043 kg)	--	1,000 lb (454 kg)	900 lb (408 kg)	500 lb (227 kg)	
	BOOM EXTENSION	34' (10.36 m)	--	1,975 lb (896 kg)	--	850 lb (386 kg)	700 lb (318 kg)	350 lb (159 kg)
		36' (10.97 m)	--	1,775 lb (805 kg)	--	750 lb (340 kg)	600 lb (272 kg)	275 lb (127 kg)
		38' (11.58 m)	--	1,575 lb (714 kg)	--	625 lb (283 kg)	500 lb (227 kg)	200 lb (91 kg)
		40' (12.19 m)	--	1,425 lb (646 kg)	--	525 lb (238 kg)	425 lb (193 kg)	125 lb (57 kg)
		42' (12.80 m)	--	1,300 lb (590 kg)	--	425 lb (193 kg)	350 lb (159 kg)	75 lb (34 kg)
44' (13.41 m)		--	1,200 lb (544 kg)	--	375 lb (170 kg)	300 lb (136 kg)	0 lb (0 kg)	
46' (14.02 m)		--	1,100 lb (499 kg)	--	325 lb (147 kg)	275 lb (127 kg)	0 lb (0 kg)	
48' (14.63 m)		--	1,000 lb (454 kg)	--	300 lb (136 kg)	250 lb (113 kg)	0 lb (0 kg)	

## SHADED AREAS ARE GOVERNED BY STRUCTURAL STRENGTH. DO NOT RELY ON TIPPING.

NOTE: Operating radius above 31' (9.45 m) are obtainable only with the boom extension.

NOTE: For rated reductions for installed load handling equipment, see back page.

NOTE: These charts are only a guide and should not be used to operate the crane. The individual crane load charts, operating instructions and other instructional information must be read and understood prior to operating the crane.

Main Boom Angle	BOOM EXTENSION STRUCTURAL CAPACITY CHART					
	12' (3.66 m) Boom Extension			18' (5.49 m) Boom Extension		
	0° Offset lb (kg)	15° Offset lb (kg)	30° Offset lb (kg)	0° Offset lb (kg)	15° Offset lb (kg)	30° Offset lb (kg)
72°	7,500 (3402)	5,100 (2313)	3,500 (1588)	4,000 (1814)	3,300 (1497)	2,300 (1043)
70°	7,000 (3175)	4,800 (2177)	3,400 (1542)	3,750 (1701)	3,100 (1406)	2,200 (998)
65°	5,700 (2585)	4,100 (1860)	3,100 (1406)	3,200 (1451)	2,700 (1225)	2,000 (907)
60°	4,500 (2041)	3,500 (1588)	2,800 (1270)	2,800 (1270)	2,400 (1089)	1,850 (839)
55°	3,500 (1588)	3,000 (1361)	2,550 (1157)	2,450 (1111)	2,150 (975)	1,700 (771)
50°	2,800 (1270)	2,500 (1134)	2,300 (1043)	2,150 (975)	1,950 (885)	1,600 (726)
45°	2,300 (907)	2,200 (998)	2,000 (907)	1,900 (862)	1,750 (794)	1,500 (680)
40°	2,000 (907)	1,900 (862)	1,800 (816)	1,700 (771)	1,600 (726)	1,400 (635)
30°	1,600 (726)	1,500 (680)	1,400 (635)	1,400 (635)	1,300 (590)	1,300 (590)
25°	1,450 (658)	1,450 (658)	--	1,275 (578)	1,200 (544)	--
20°	1,350 (612)	1,350 (612)	--	1,175 (533)	1,125 (510)	--
15°	1,300 (590)	1,300 (590)	--	1,100 (499)	1,100 (499)	--
10°	1,275 (578)	--	--	1,050 (476)	--	--
5°	1,225 (556)	--	--	1,025 (465)	--	--
0°	1,200 (544)	--	--	1,000 (454)	--	--

Boom extension capacities are limited by both the structural capacity chart and the main capacity chart.