

HELI

DIESEL PNEUMATIC TIRE FORKLIFT

- ENHANCED COMFORT THROUGH INNOVATIVE DESIGN
- LEGENDARY HELI QUALITY
- LOW COST OF OWNERSHIP
- POWERFUL PERFORMANCE



4,000-7,000 Lbs

CPCD20

CPCD25

CPCD30

CPCD35



www.HeliForkliftUSA.com

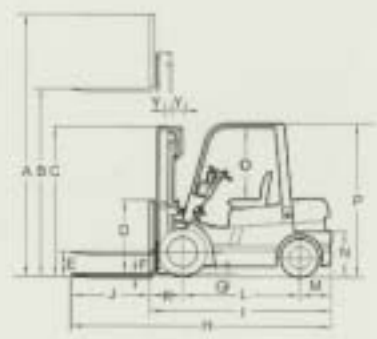
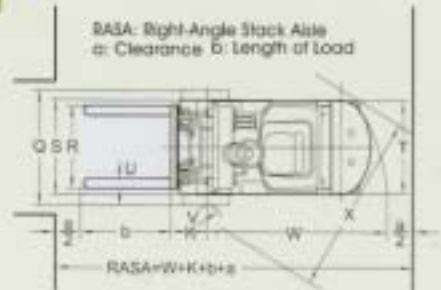
MANUFACTURER: **ANHUI HELI CO., LTD.**

DISTRIBUTOR: SOUTHWEST EQUIPMENT SALES • 4105 GLOBEVILLE ROAD, DENVER, CO 80216
TEL: 888-NEW-HELI (639-4354) • FAX: 303-468-9901



SPECIFICATIONS

Manufacturer		HELI			
Model		CPCD20	CPCD25	CPCD30	CPCD35
Load Capacity	lbs	4,000	5,000	6,000	7,000
Load Center	in	24	24	24	24
Lifting Speed	fpm	108	108	98	65
Max. Travel Speed	mph	10.6	10.6	11.2	11.8
Max. Drawbar Pull (Without/with load)	lbs	2,767/3,239	2,767/3,239	2,567/2,924	3,037/3,467
Max. Gradeability (Without/with load)	%	18/20	18/19	15/19	15/15
Tilt Angle (F/B)	Y deg	6/12	6/12	6/12	6/12
Overall Height Forks Raised	A in	170	170	179	183.5
Max. Fork Height	B in	130	130		
Overall Height Upright Lowered	C in	84.4	84.4	87.4	91.7
Free Lift	E in	12.8	12.8	12	12
Overall Length(With Forks)	H in	139.8	142.5	147.4	148.2
Overall Length(Without Forks)	I in	97.6	100.4	105.3	106.1
Min. Ground Clearance	G in	4.3	4.3	5.5	5.3
Overhang (Front/Rear)	K/M in	17.7/17	17.7/19.7	18.7/19.7	19.5/19.7
Wheel Base	L in	63	63	67	67
Overall Height (With Overhead Guard)	P in	82.3	82.3	82.3	82.3
Overall Width	Q in	45.3	45.3	48.2	48.2
Opening Of forks	R in	9.6-40.2	9.6-40.2	9.6-41.7	9.6-41.7
Tread (Front/Rear)	S/T in	38.2/38.2	38.2/38.2	39.4/38.2	39.4/38.2
Min. Turning Radius(Outside)	X in	85.4	88.2	94.5	95.3
Min. Intersecting Aisle	W in	75.6	79.1	83.1	83.1
Fork Size	J/U/F in	42.1/4.8/1.57	42.1/4.8/1.57	42.1/5/1.77	42.1/5/1.97
Engine Model			KUBOTA V2403		KUBOTA V3300
Rated Horsepower	hp/rpm		47/2,500		68/2,400
Rated Torque	lb-ft/rpm		117.8/1,800		173.4/1,400
Battery Voltage /Capacity	V/Wh		12/105		
Tires (Front)		7.00-12-12PR		28X9-15-12PR	28X9-15-12PR
Tires (Rear)		6.00-9-10PR		6.50-10-10PR	
Total Weight	lbs	7,320	8,110	9,330	10,800



For Your Safety

- Before operating a lift truck, an operator must:
- *Be trained and authorized
 - *Read and understand the operator's manual
 - *Not operate a faulty lift truck
 - *Not repair a lift truck unless trained and authorized
 - *Have the overhead guard and load backrest extension in place

During operation, a lift truck operator must:

- *Wear a seat belt
- *Keep entire body inside truck cab
- *Never carry passengers or lift people
- *Keep truck away from people and obstructions
- *Travel with lift mechanism as low as possible and tilted back

To park a lift truck, an operator must:

- *Completely lower forks or attachments
- *Shift into neutral
- *Turn key off
- *Set parking brake



CE Certification



ISO9001 Certification



**Southwest
Equipment
Sales**

HELI DISTRIBUTOR FOR WESTERN USA