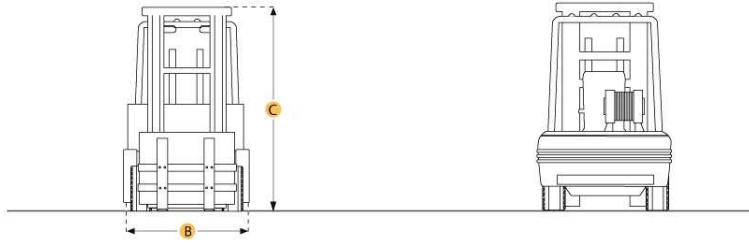


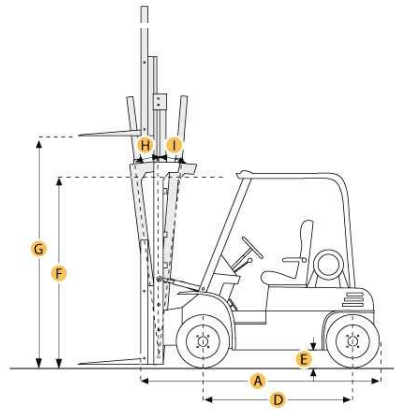
# RITCHIE Specs Everything about Equipment

## HYUNDAI HLF25-5 FORKLIFT



### Dimensions

A. LENGTH TO FORK FACE	8.5 ft in 2605 mm
B. OVERALL WIDTH	3.8 ft in 1160 mm
C. OVERALL HEIGHT - MAST LOWERED	7.1 ft in 2175 mm
D. WHEELBASE	5.4 ft in 1650 mm
E. GROUND CLEARANCE	5.1 in 130 mm
F. HEIGHT TO TOP OF OVERHEAD GUARD	7.2 ft in 2180 mm
G. MAX FORK HEIGHT	10.8 ft in 3300 mm
<b>MAST</b>	
H. MAST TIP FORWARD	6 degrees
I. MAST TIP REAR	10 degrees



# RITCHIE Specs Everything about Equipment

## HYUNDAI HLF25-5 FORKLIFT

### Specification

#### Engine

MAKE	Mitsubishi	
MODEL	4G64-33HL	
POWER	50 hp	37.3 kw
TORQUE	123 lb ft	166.7 Nm
POWER MEASURED @	2500 rpm	
DISPLACEMENT	143.4 cu in	2.4 L
TORQUE MEASURED @	1600 rpm	

#### Operational

NUMBER OF FRONT WHEELS	2	
NUMBER OF REAR WHEELS	2	
MAX SPEED	12.7 mph	20.5 km/h

#### MAST

LOAD CAPACITY	5511.6 lb	2500 kg
LOAD CENTER	24 in	609.6 mm
MAST TIP FORWARD	6 degrees	
MAST TIP REAR	10 degrees	
LIFT SPEED	341.2 ft/min 104 m/min	
LOWER SPEED	328.1 ft/min 100 m/min	

#### Dimensions

LENGTH TO FORK FACE	8.5 ft in	2605 mm
OVERALL WIDTH	3.8 ft in	1160 mm
OVERALL HEIGHT - MAST LOWERED	7.1 ft in	2175 mm
MAX FORK HEIGHT	10.8 ft in	3300 mm
WHEELBASE	5.4 ft in	1650 mm
TURNING RADIUS	7.6 ft in	2325 mm
HEIGHT TO TOP OF OVERHEAD GUARD	7.2 ft in	2180 mm
GROUND CLEARANCE	5.1 in	130 mm