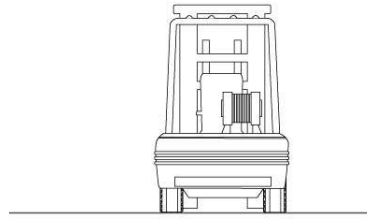
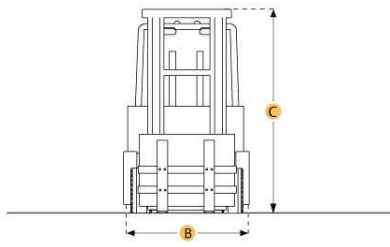
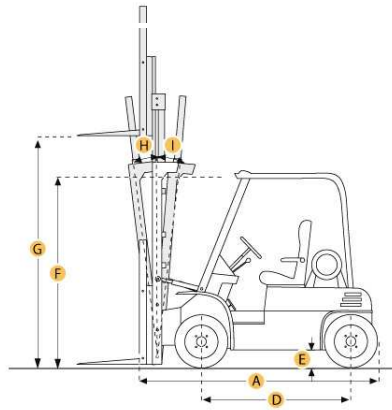


TOYOTA 7FDU70 FORKLIFT



null



RITCHIE Specs Everything about Equipment

TOYOTA 7FDU70 FORKLIFT

Specification

Engine

POWER	89 hp	66.4 kw
POWER MEASURED @	2200 rpm	

Operational

TIRE TYPE	pneumatic	
NUMBER OF FRONT WHEELS	2	
NUMBER OF REAR WHEELS	2	
MAX SPEED	11.8 mph	19 km/h

MAST

LOAD CAPACITY	15500 lb	7030.7 kg
LOAD CENTER	24 in	609.6 mm
LIFT SPEED	80.8 ft/min	24.6 m/min

Dimensions

RIGHT ANGLE STACK	12.2 ft in	3718.6 mm
-------------------	------------	-----------